

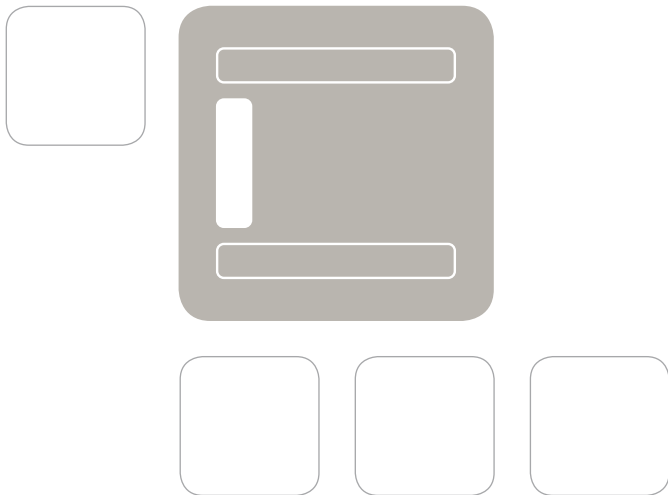


The new tehalit.SL skirting trunking

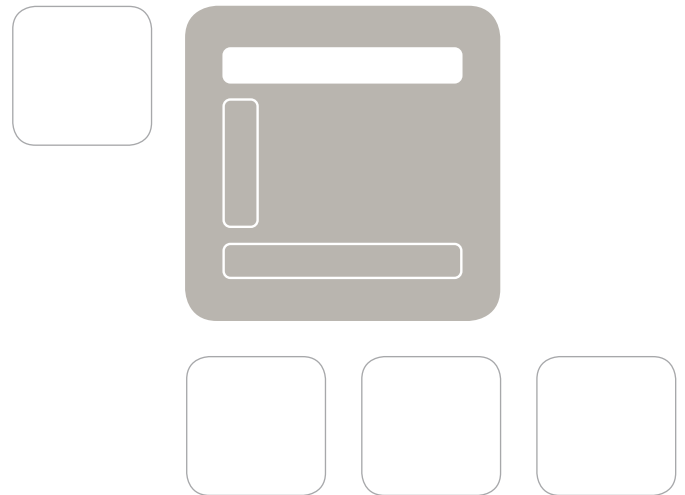
Devices installed in style



Well prepared
with Hager
wall-installation
systems



Ahead of their time:
with Hager
ceiling-installation
systems



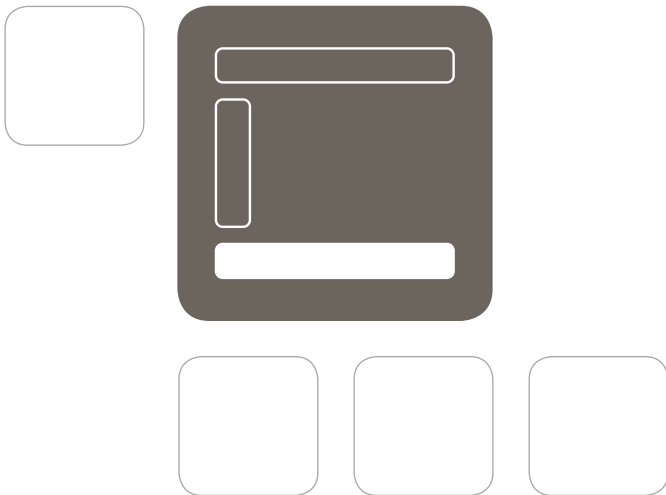
Walls, ceilings, floors: Hager's all-round package

Electrical installations require a three-dimensional approach: optimal solutions that fulfill both technical and visual requirements can only be found once you look and think in all directions.

This has always been one of our strongest assets. As specialists for electrical installations in residential and commercial buildings, we tend to look up and down, left and right – but mainly ahead. Our conclusion: the ideal solution is a question of perspective. We have therefore developed

installation solutions for floors, walls and ceilings and dedicated separate brochures to these fields. They will give you room for ideas – open up!

Well positioned
with Hager
floor-installation
systems



All advantages at a glance

- Modern electrical infrastructure for old and new buildings
- Optimal wiring of the utilized area
- Cost-optimized basic installation
- Attractive interior design feature
- Highest degree of flexibility in expanding or changing existing systems
- Planning and assembly made easy

www.hager.com



Designer outlets. Quickly mounted. Refurbishment in style.

Refurbishing private and office rooms with up-to-date electrical installation often requires a lot of effort. Slots must be chiseled to accommodate the lines. The locations of outlets for power, data and communication need to be determined in advance even though it is usually not clear where exactly they will be needed when the room is use. Finally, the surfaces need to be plastered. With Hager's new skirting trunking tehaliit.SL you can now save yourself and your customers the entire trouble.



A pleasing ambience at home and at work:
the new skirting trunking tehaliit.SL blends into any ambience – visually and also technically.

Trendy styling

Skirting trunking always faces conflicting targets: to provide optimal line capacity while at the same time remaining inconspicuous. The new tehaliit.SL skirting trunking completes this challenge with flying colors. It adds an elegant twist to the interior design while creating a perfect blend with the flooring – be it carpet, parquet or tiles. The system adjusts to either type of flooring with a matching style. It owes its adaptability to the sleek, advanced design and the large variety of profiles and trim options. If any of your customers wants to stand out even more, then recommend them the SL LED-Set!

Top technology

The design of this new skirting trunking may be discrete, but its technical innovations are eye-catching. Its most stunning feature: simplicity! Almost all trunking elements can be snapped into place without any fasteners and tools. Ordering is now just as simple: with new self-explanatory order numbers.

We have summarized the most important innovations in this brochure.

Matching profiles for all types of styles

The new tehalit.SL skirting trunking is available in three dimensions. The new device carrier was proportionally adjusted to the trunking width so that the overall visual impression is even more consistent. Apart from the trunking shape, we also changed the type of delivery: Top and bottom part can now be ordered separately. Four types of profiles, three basic colors and five wood decors round off the portfolio. You will find the perfect solution for all types of rooms and all tastes.



Trunking at large:
SL20115 (20x115 mm), pure white



Happy medium:
SL20080 (20x80 mm), aluminum design

A real highlight: the SL LED kit**

It has a unique effect: when someone enters the room, the floor is gently illuminated. This effect is achieved by the SL LED kit, consisting of a skirting trunking with transparent strip, LED hose and device carrier with motion sensor and transformer.



Standard profile



Profile with soft lip*:
conceals uneven areas in walls and floors to create a clean edges



Profile with carpet strip*:
new, rounded insertion area for enhanced carpet fitting



Profile with translucent windows for LED hose**



*for SL20055 and SL20080 only
**for SL20080 only



Smallest of the bunch:
SL20055 (20x55 mm), graphite black

The wood decors
For parquet flooring, we recommend our five appealing wood decors:



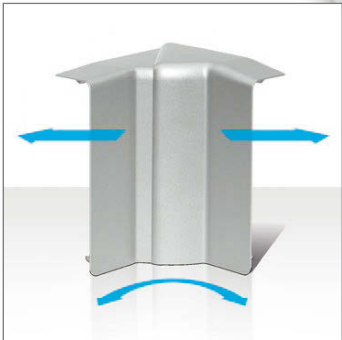
Impeccable solutions just around the corner: shaped

When routing lines, there is always one decisive catch: rooms have corners! And they are rarely as right-angled as in theory. Flexibility and adjustability are therefore imperative. Uneven areas must be compensated for and lines must comply with specified bending radii. But despite all corners, the styling should not show any rough edges - it should flow, be discrete and unobtrusive.

External corner piece
The external corner piece can be adjusted to various angles and perfectly levels out uneven wall areas.



Internal corner piece
The new internal corner piece is not only axially adjustable, but also extendable. This will enlarge the bending radius - ideal for data cables. Hager is the only company to offer you this degree of flexibility!!



parts with matched design

Beautiful bends thanks to joint covers

The new trim-line concealing joint covers with adjustable angles from the tehaliit.SL accessories program fulfill these requirements with ease. They fit perfectly, stay flexible and offer enough space so that all lines can be routed around the bend easily.

Flexible transitions with the 3D T-piece

The tehaliit.SL skirting trunking can easily be combined with other Hager trunking systems, such as floor trunkings or door bypass trunkings. All you need is the handy 3D T-piece from the accessories program. You will now have an unlimited number of options to choose from!



End piece

The new, two-piece end piece can be installed either on the left-hand or right-hand side and creates clean trunking ends.





Simply beautiful, offering unlimited options the new device carrier

With the tehalit.SL skirting trunking, we did not just want to innovate, but: improve! An outstanding result of this optimization process is the new device carrier, which does not only stand out because of its design, but also because of its functional variety. Its lateral mirror surfaces create a visual effect of expanding the trunking, with the device carrier seemingly floating above it, enhancing its unobtrusive appearance.



Plenty of connections in compact space

The extensive list of built-in devices and combination options is just as impressive. Our portfolio includes eight complete device carriers with power, data and speaker connections.

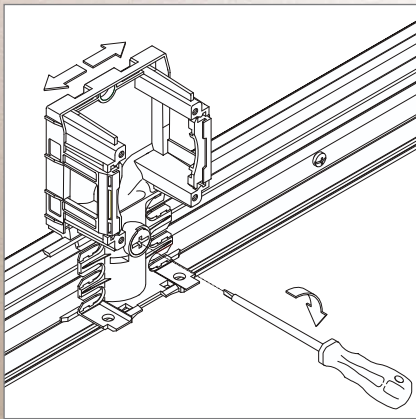
Open for everything

In addition to the variants illustrated above, there is a "universal" device carrier with cover for concealed devices – e. g. for installing devices made by other manufacturers.

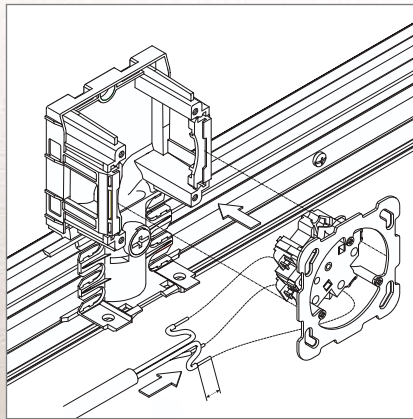


Snappy connections without tools and fasteners: clip-in joints for tool-free assembly

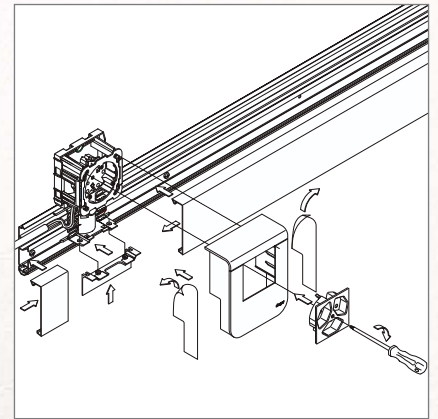
Sophisticated design for quick installation! When installing the new tehalit.SL trunking system, you only need to use your drill once: when mounting the trunking bottom to the wall. The new keyhole slot provides more drilling flexibility. The rest is basically a piece of cake. Trunking top part and device carrier are simply snapped onto the bottom part – no screws or tools required, no "fiddling". This does not only speed up the assembly process, it also produces less dirt. Damaging the walls is almost impossible. To your customers' complete satisfaction!



Step 1:
Clip-connect the device carrier onto the trunking bottom, slide it into position and turn the locking screw by 90° to fasten it.



Step 2:
Connect the socket and snap it onto device carrier.



Step 3:
Snap the trunking top onto the trunking bottom and slide it towards device carrier. Place the device carrier top onto the device carrier bottom. Finally, clip on the device carrier apron and screw on the central disc.





In good shape – in line with the standards

The new trunking bottom part enhances line retention thanks to modified partition webs. It also ensures compliance with standard EN 50085 which requests a minimum distance of 10 mm between power lines and the bottom. A true installation benefit provided by Hager!



Available colors:
RAL 9010, pure white
RAL 9011, graphite black

D1, aluminum decor
D2, beech decor
D3, maple decor
D4, cherry decor
D5, oak decor
D6, sucupira decor

Available colors for bottom part:
Black

Material:
Top and bottom part: PVC
Shaped parts:
PC/ABS halogen-free

Available length:
2000 mm

Delivery:
Top and bottom part separately

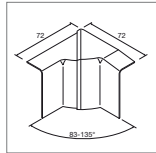


	Designation	Bottom part rigid PVC	Top part rigid PVC	PU
	SL200551 and SL200552	SL200551 Black	SL2005529010 pure white	36 m
			SL2005529011 graphite black	36 m
			SL200552D1 aluminum	18 m
			SL200552D2 beech	18 m
			SL200552D3 maple	18 m
			SL200552D4 cherry	18 m
			SL200552D5 oak	18 m
			SL200552D6 sucupira	18 m

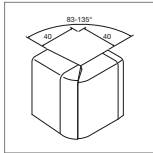
Note:

- Top and bottom part must be ordered separately.
- Device carrier cover must be ordered separately from device carrier.

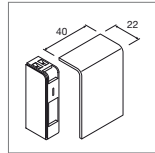
The trunking tops can be covered with wood grain film. Ask for our portfolio.



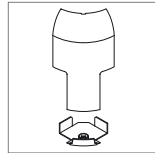
Internal corner with adjustable angle 83°-135°
PC/ABS
halogen-free



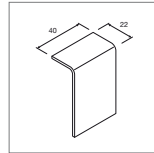
External corner with adjustable angle 83°-135°
PC/ABS
halogen-free



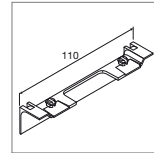
End piece
PC/ABS
halogen-free



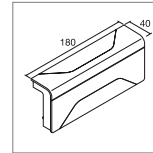
Connecting piece for corner trunking EK40040
PC/ABS
halogen-free



Trim-line cover
PC/ABS
halogen-free



Device carrier cover
PC/ABS
halogen-free



3D T-piece
PC/ABS
halogen-free

SL2005549010
pure white
PU 1 piece

SL2005539010
pure white
PU 1 piece

SL2005569010
pure white
PU 1 piece

SL20055819010
pure white
PU 1 piece

SL2005579010
pure white
PU 1 piece

SL20055AC9010
pure white
PU 1 piece

SL2005589010
pure white
PU 1 piece

SL2005549011
graphite black
PU 1 piece

SL2005539011
graphite black
PU 1 piece

SL2005569011
graphite black
PU 1 piece

SL20055819011
graphite black
PU 1 piece

SL2005579011
graphite black
PU 1 piece

SL20055AC9011
graphite black
PU 1 piece

SL2005589011
graphite black
PU 1 piece

SL200554D1
aluminum
PU 1 piece

SL200553D1
aluminum
PU 1 piece

SL200556D1
aluminum
PU 1 piece

SL2005581D1
aluminum
PU 1 piece

SL200557D1
aluminum
PU 1 piece

SL20055ACD1
aluminum
PU 1 piece

SL200558D1
aluminum
PU 1 piece

SL200554D2
beech
PU 1 piece

SL200553D2
beech
PU 1 piece

SL200556D2
beech
PU 1 piece

SL200557D2
beech
PU 1 piece

SL20055ACD2
beech
PU 1 piece

SL200554D3
maple
PU 1 piece

SL200553D3
maple
PU 1 piece

SL200556D3
maple
PU 1 piece

SL200557D3
maple
PU 1 piece

SL20055ACD3
maple
PU 1 piece

SL200554D4
cherry
PU 1 piece

SL200553D4
cherry
PU 1 piece

SL200556D4
cherry
PU 1 piece

SL200557D4
cherry
PU 1 piece

SL20055ACD4
cherry
PU 1 piece

SL200554D5
oak
PU 1 piece

SL200553D5
oak
PU 1 piece

SL200556D5
oak
PU 1 piece

SL200557D5
oak
PU 1 piece

SL20055ACD5
oak
PU 1 piece

SL200554D6
sucupira
PU 1 piece

SL200553D6
sucupira
PU 1 piece

SL200556D6
sucupira
PU 1 piece

SL200557D6
sucupira
PU 1 piece

SL20055ACD6
sucupira
PU 1 piece

tehalit.SL

Skirting trunking, height 55 mm, with two soft lips, shaped parts

Available colors:
RAL 9010, pure white
RAL 9011, graphite black

Material:
Top and bottom part: PVC
Shaped parts: PC/ABS
halogen-free

Delivery:
Top and bottom part separately

Available colors for bottom part:
Black

Available length:
2000 mm



	Designation	Bottom part rigid PVC	Top part rigid PVC	PU
	SL200551 and SL2005521	SL200551 Black	SL20055219010 pure white	Bottom part: 36 m Top part: 12m
			SL20055219011 graphite black	Bottom part: 36 m Top part: 12m

tehalit.SL

Skirting trunking, height 55 mm, with carpet strip, shaped parts

Available colors:
RAL 9010, pure white

Material:
Top and bottom part: PVC
Shaped parts: PC/ABS halo-
gen-free

Delivery:
Top and bottom part separately

Available colors for bottom part:
Black

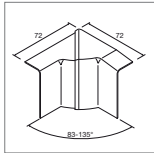
Available length:
2000 mm



	Designation	Bottom part rigid PVC	Top part rigid PVC	PU
	SL200551 and SL2005522	SL200551 Black	SL20055229010 pure white	36 m

Note:

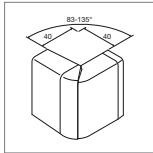
- Top and bottom part must be ordered separately.
- Device carrier cover must be ordered separately from device carrier.



Internal corner with adjustable angle 83°-135°
PC/ABS
halogen-free

SL2005549010
pure white
PU 1 piece

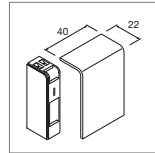
SL2005549011
graphite black
PU 1 piece



External corner with adjustable angle 83°-135°
PC/ABS
halogen-free

SL2005539010
pure white
PU 1 piece

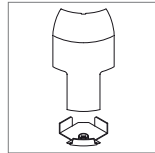
SL2005539011
graphite black
PU 1 piece



End piece
PC/ABS
halogen-free

L2005569010
pure white
PU 1 piece

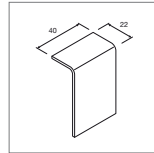
SL2005569011
graphite black
PU 1 piece



Connecting piece for corner trunking EK40040
PC/ABS
halogen-free

SL20055819010
pure white
PU 1 piece

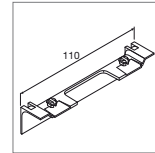
SL20055819011
graphite black
PU 1 piece



Trim-line cover
PC/ABS
halogen-free

SL2005579010
pure white
PU 1 piece

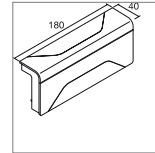
SL2005579011
graphite black
PU 1 piece



Device carrier cover
PC/ABS
halogen-free

SL20055AC9010
pure white
PU 1 piece

SL20055AC9011
graphite black
PU 1 piece



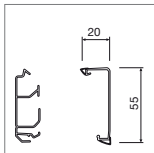
3D T-piece
PC/ABS
halogen-free

SL2005589010
pure white
PU 1 piece

SL2005589011
graphite black
PU 1 piece

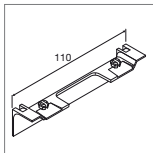
Note:

- Top and bottom part must be ordered separately.
- Device carrier cover must be ordered separately from device carrier.



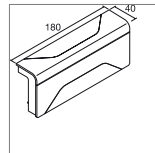
End piece left-hand/right-hand
PC/ABS
halogen-free

SL20055619010
pure white
PU 1 piece



Device carrier cover
PC/ABS
halogen-free

SL20055AC9010
pure white
PU 1 piece



3D T-piece
PC/ABS
halogen-free

SL2005589010
pure white
PU 1 piece

Available colors
RAL 9010, pure white

Available colors for bottom part
black

Material
Top and bottom part: PVC
Shaped parts:
PC/ABS halogen-free

Available length
2000 mm

Delivery
Top and bottom part separately

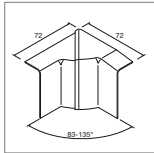


	Designation	Bottom part rigid PVC	Top part rigid PVC	PU
	SL200801 and SL200802	SL200801 Black	SL2008029010 pure white	36 m
			SL2008029011 graphite black	36 m
			SL200802D1 aluminum	18 m
			SL200802D2 beech	18 m
			SL200802D3 maple	18 m
			SL200802D4 cherry	18 m
			SL200802D5 oak	18 m
		SL200802D6 sucupira	18 m	

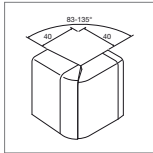
Note

- Top and bottom part must be ordered separately.

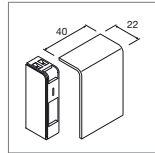
- Device carrier cover must be ordered separately from device carrier.



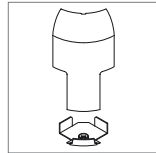
Internal corner with adjustable angle 83°-135°
PC/ABS
halogen-free



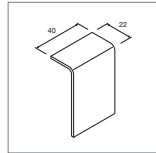
External corner with adjustable angle 83°-135°
PC/ABS
halogen-free



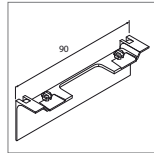
End piece
PC/ABS
halogen-free



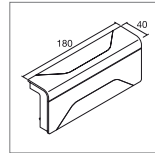
Connecting piece for corner trunking EK40040
PC/ABS
halogen-free



Trim-line cover
PC/ABS
halogen-free



Device carrier cover
PC/ABS
halogen-free



3D T-piece
PC/ABS
halogen-free

SL2008049010
pure white
PU 1 piece

SL2008039010
pure white
PU 1 piece

SL2008069010
pure white
PU 1 piece

SL20080819010
pure white
PU 1 piece

SL2008079010
pure white
PU 1 piece

SL20080AC9010
pure white
PU 1 piece

SL2008089010
pure white
PU 1 piece

SL2008049011
graphite black
PU 1 piece

SL2008039011
graphite black
PU 1 piece

SL2008069011
graphite black
PU 1 piece

SL20080819011
graphite black
PU 1 piece

SL2008079011
graphite black
PU 1 piece

SL20080AC9011
graphite black
PU 1 piece

SL2008089011
graphite black
PU 1 piece

SL200804D1
aluminum
PU 1 piece

SL200803D1
aluminum
PU 1 piece

SL200806D1
aluminum
PU 1 piece

SL2008081D1
aluminum
PU 1 piece

SL200807D1
aluminum
PU 1 piece

SL20080ACD1
aluminum
PU 1 piece

SL200808D1
aluminum
PU 1 piece

SL200804D2
beech
PU 1 piece

SL200803D2
beech
PU 1 piece

SL200806D2
beech
PU 1 piece

SL200807D2
beech
PU 1 piece

SL20080ACD2
beech
PU 1 piece

SL200804D3
maple
PU 1 piece

SL200803D3
maple
PU 1 piece

SL200806D3
maple
PU 1 piece

SL200807D3
maple
PU 1 piece

SL20080ACD3
maple
PU 1 piece

SL200804D4
cherry
PU 1 piece

SL200803D4
cherry
PU 1 piece

SL200806D4
cherry
PU 1 piece

SL200807D4
cherry
PU 1 piece

SL20080ACD4
cherry
PU 1 piece

SL200804D5
oak
PU 1 piece

SL200803D5
oak
PU 1 piece

SL200806D5
oak
PU 1 piece

SL200807D5
oak
PU 1 piece

SL20080ACD5
oak
PU 1 piece

SL200804D6
sucupira
PU 1 piece

SL200803D6
sucupira
PU 1 piece

SL200806D6
sucupira
PU 1 piece

SL200807D6
sucupira
PU 1 piece

SL20080ACD6
sucupira
PU 1 piece

tehalit.SL

Skirting trunking, height 80 mm, with two soft lips, shaped parts

Available colors:
RAL 9010, pure white
RAL 9011, graphite black

Material:
Top and bottom part: PVC
Shaped parts:
PC/ABS halogen-free

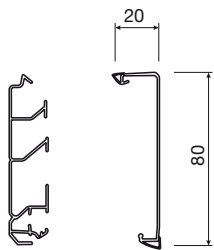
Delivery:
Top and bottom part separately

Available colors for bottom part:
Black

Available length:
2000 mm



Designation	Bottom part rigid PVC	Top part rigid PVC	PU
-------------	--------------------------	-----------------------	----



SL200801 and SL2008021	SL200801 Black	SL20080219010 pure white	Bottom part: 36 m Top part: 12m
		SL20080219011 graphite black	Bottom part: 36 m Top part: 12m

tehalit.SL

Skirting trunking, height 80 mm, with carpet strip, shaped parts

Available colors:
RAL 9010, pure white

Material:
Top and bottom part: PVC
Shaped parts:
PC/ABS halogen-free

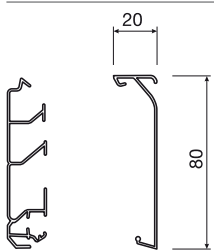
Delivery:
Top and bottom part separately

Available colors for bottom part:
Black

Available length:
2000 mm



Designation	Bottom part rigid PVC	Top part rigid PVC	PU
-------------	--------------------------	-----------------------	----



SL200801 and SL2008022	SL200801 Black	SL20080229010 pure white	36 m
------------------------	-------------------	-----------------------------	------

Note:

- Top and bottom part must be ordered separately.
- Device carrier cover must be ordered separately from device carrier.

The trunking tops can be covered with wood grain film. Ask for our portfolio.

Internal corner with adjustable angle 83°-135° PC/ABS halogen-free	External corner with adjustable angle 83°-135° PC/ABS halogen-free	End piece PC/ABS halogen-free	Connecting piece for corner trunking EK40040 PC/ABS halogen-free	Trim-line cover PC/ABS halogen-free	Device carrier cover PC/ABS halogen-free	3D T-piece PC/ABS halogen-free
SL2008049010 pure white PU 1 piece	SL2008039010 pure white PU 1 piece	SL2008069010 pure white PU 1 piece	SL20080819010 pure white PU 1 piece	SL2008079010 pure white PU 1 piece	SL20080AC9010 pure white PU 1 piece	SL2008089010 pure white PU 1 piece
SL2008049011 graphite black PU 1 piece	SL2008039011 graphite black PU 1 piece	SL2008069011 graphite black PU 1 piece	SL20080819011 graphite black PU 1 piece	SL2008079011 graphite black PU 1 piece	SL20080AC9011 graphite black PU 1 piece	SL2008089011 graphite black PU 1 piece

Note:

- Top and bottom part must be ordered separately.
- Device carrier cover must be ordered separately from device carrier.

End piece left-hand/right-hand PC/ABS halogen-free	Device carrier cover PC/ABS halogen-free	3D T-piece PC/ABS halogen-free
SL20080619010 pure white PU 1 piece	SL20080AC9010 pure white PU 1 piece	SL2008089010 pure white PU 1 piece

tehalit.SLH

Skirting trunking, halogen-free, height 80 mm, shaped parts

Available colors:
RAL 9010, pure white

Available colors for bottom part:
Black

Material:
Top and bottom part: PC/ABS
Shaped parts:
PC/ABS halogen-free

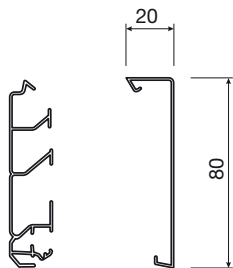
Available length:
2000 mm

Delivery:
Top and bottom part separately



Designation	Bottom part PC/ABS halogen-free	Top part PC/ABS halogen-free	PU
-------------	---------------------------------------	------------------------------------	----

SLH200801 and SLH200802	SLH200801 Black	SLH2008029010 pure white	36 m
-------------------------	--------------------	-----------------------------	------



tehalit.SL

Skirting trunking, height 115 mm, shaped parts

Available colors:
RAL 9010, pure white
RAL 9011, graphite black

Available colors for bottom part:
Black

Material:
Top and bottom part: PVC
Shaped parts: PC/ABS halogen-free

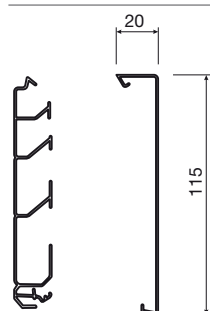
Available length:
2000 mm

Delivery:
Top and bottom part separately



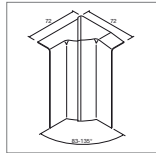
Designation	Bottom part rigid PVC	Top part rigid PVC	PU
-------------	--------------------------	-----------------------	----

SL2001151 and SL201152	SL201151 Black	SL2011529010 pure white	24 m
		SL2011529011 graphite black	24 m



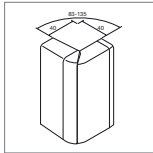
Note:

- Top and bottom part must be ordered separately.
- Device carrier cover must be ordered separately from device carrier.



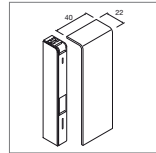
Internal corner with adjustable angle 83°-135°
PC/ABS
halogen-free

SL2008049010
pure white
PU 1 piece



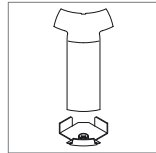
External corner with adjustable angle 83°-135°
PC/ABS
halogen-free

SL2008039010
pure white
PU 1 piece



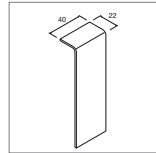
End piece
PC/ABS
halogen-free

SL2008069010
pure white
PU 1 piece



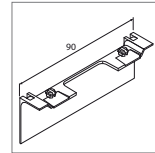
Connecting piece for corner trunking EK40040
PC/ABS
halogen-free

SL20080819010
pure white
PU 1 piece



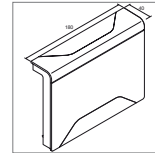
Trim-line cover
PC/ABS
halogen-free

SL2008079010
pure white
PU 1 piece



Device carrier cover
PC/ABS
halogen-free

SL20080AC9010
pure white
PU 1 piece



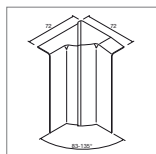
3D T-piece
PC/ABS
halogen-free

SL2008089010
pure white
PU 1 piece

Note:

- Top and bottom part must be ordered separately.
- Device carrier cover must be ordered separately from device carrier.

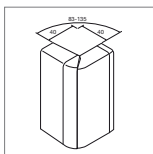
The trunking tops can be covered with wood grain film. Ask for our portfolio.



Internal corner with adjustable angle 83°-135°
PC/ABS
halogen-free

SL2011549010
pure white
PU 1 piece

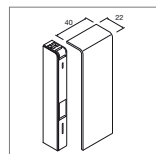
SL2011549011
Graphitschwarz
PU 1 piece



External corner with adjustable angle 83°-135°
PC/ABS
halogen-free

SL2011539010
pure white
PU 1 piece

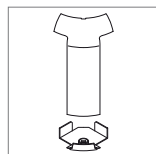
SL2011539011
Graphitschwarz
PU 1 piece



End piece
PC/ABS
halogen-free

SL2011569010
pure white
PU 1 piece

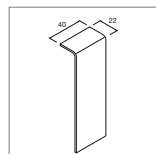
SL2011569011
graphite black
PU 1 piece



Connecting piece for corner trunking EK40040
PC/ABS
halogen-free

SL20115819010
Reinweiss
PU 1 piece

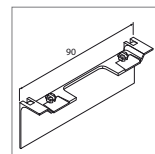
SL20115819011
graphite black
PU 1 piece



Trim-line cover
PC/ABS
halogen-free

SL2011579010
pure white
PU 1 piece

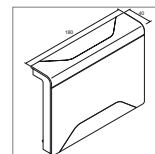
SL2011579011
Graphitschwarz
PU 1 piece



Device carrier cover
PC/ABS
halogen-free

SL20115AC9010
pure white
PU 1 piece

SL20115AC9011
graphite black
PU 1 piece



3D T-piece
PC/ABS
halogen-free

SL2011589010
pure white
PU 1 piece

SL2011589011
graphite black
PU 1 piece

Pre-equipped device carrier
for tehalit.SL system

Material:
PC/ABS halogen-free

Available colors:
RAL 9010, pure white
RAL 9011, graphite black
D1, aluminum decor

Note:
Device carrier cover matching
the top part must be ordered
separately.

Designation	For trunking	PU	Order no.
-------------	--------------	----	-----------



SL20080905C9010

Device carrier with Cat. 6 data connection 2-fold, unshielded

pure white	SL20055	1	SL20055905C9010
graphite black	SL20055	1	SL20055905C9011
aluminum	SL20055	1	SL20055905CD1
pure white	SL20080	1	SL20080905C9010
graphite black	SL20080	1	SL20080905C9011
aluminum	SL20080	1	SL20080905CD1
pure white	SL20115	1	SL20115905C9010
graphite black	SL20115	1	SL20115905C9011



SL20080906C9010

Device carrier with Cat. 6 data connection 2-fold, unshielded

pure white	SL20055	1	SL20055906C9010
graphite black	SL20055	1	SL20055906C9011
aluminum	SL20055	1	SL20055906CD1
pure white	SL20080	1	SL20080906C9010
graphite black	SL20080	1	SL20080906C9011
aluminum	SL20080	1	SL20080906CD1
pure white	SL20115	1	SL20115906C9010
graphite black	SL20115	1	SL20115906C9011



SL200809LS19010

Device carrier with speaker connection, 1-fold

pure white	SL20055	1	SL200559LS19010
graphite black	SL20055	1	SL200559LS19011
aluminum	SL20055	1	SL200559LS1D1
pure white	SL20080	1	SL200809LS19010
graphite black	SL20080	1	SL200809LS19011
aluminum	SL20080	1	SL200809LS1D1
pure white	SL20115	1	SL201159LS19010
graphite black	SL20115	1	SL201159LS19011



SL200809LS29010

Device carrier with speaker connection, 2-fold

pure white	SL20055	1	SL200559LS29010
graphite black	SL20055	1	SL200559LS29011
aluminum	SL20055	1	SL200559LS2D1
pure white	SL20080	1	SL200809LS29010
graphite black	SL20080	1	SL200809LS29011
aluminum	SL20080	1	SL200809LS2D1
pure white	SL20115	1	SL201159LS29010
graphite black	SL20115	1	SL201159LS29011



SL20080903C9010



SL20080911C9010

Designation For trunking PU Order no.

Device carrier empty for kallysto B-device (60x60)

pure white	SL20055	1	SL20055903C9010
graphite black	SL20055	1	SL20055903C9011
aluminum	SL20055	1	SL20055903CD1
pure white	SL20080	1	SL20080903C9010
graphite black	SL20080	1	SL20080903C9011
aluminum	SL20080	1	SL20080903CD1
pure white	SL20115	1	SL20115903C9010
graphite black	SL20115	1	SL20115903C9011

Device carrier "universal" for concealed devices, with cover

- No additional device carrier cover required

pure white	SL20055	1	SL20055911C9010
graphite black	SL20055	1	SL20055911C9011
aluminum	SL20055	1	SL20055911CD1
pure white	SL20080	1	SL20080911C9010
graphite black	SL20080	1	SL20080911C9011
aluminum	SL20080	1	SL20080911CD1
pure white	SL20115	1	SL20115911C9010
graphite black	SL20115	1	SL20115911C9011

tehalit.SL
LED skirting trunking kit and accessories



SL20080LED1ALU

Designation PU Order no.

tehalit.SL Skirting trunking set with motion sensor, transformer and LED illumination





Kit, consisting of:

- 4 meters skirting trunking top part with transparent area for LED, aluminum decor, height 80 mm
- 4 meters skirting trunking bottom part, black
- 1 device carrier with transformer and motion sensor, aluminum/graphite black decor
- 1 device carrier cover, aluminum decor
- 1 LED hose, color white or blue, length 4 m
- 2 end pieces, aluminum decor
- connection accessories

SL20080LED1ALU - with LED illumination white

SL20080LED2ALU - with LED illumination blue

SL with LED hose, white, with accessories, aluminum decor	1	SL20080LED1ALU
SL with LED hose, blue, with accessories, aluminum decor	1	SL20080LED2ALU

	Designation	PU	Order no.
	Top part 80 mm for LED installation one-piece, with transparent area for LED Material: PVC		
SL2008024D1	pure white	18	SL20080249010
	graphite black	18	SL20080249011
	aluminum	18	SL2008024D1
	Bottom part for SL20080, 80 mm Material: PVC	36	SL200801
SL200801			
	Transformer for LED hose up to 4 m length 1 to 9 W Input voltage: 230 V/50 Hz Output voltage: 12 V DC (2-fold) Dimensions: 47 mm diameter, 18 mm height	1	LEDTR9
LEDTR9			
	Transformer for LED hose up to 28 m length 1 to 45 W Input voltage: 230 V/50 Hz Output voltage: 12 V DC Dimensions: 202 mm x 36.5 mm x 22.5 mm	1	LEDTR45
LEDTR45			
	Note: This transformer needs a suitable stowage location.		
	LED hose 12 V DC Dimensions: 4 or 20 m (5 x 8 mm)		
LED04WEISS	4 meter incl. accessories, white	1	LED04WEISS
	4 meter incl. accessories, blue	1	LED04BLAU
	20 meter incl. accessories, white	1	LED20WEISS
	20 meter incl. accessories, blue	1	LED20BLAU
	Device carrier with transformer and motion sensor 1 - 9 W transformer and motion sensor Aluminum/graphite black decor	1	SL20080927D1
SL20080927D1	Note: The device carrier cover matching the top part must be ordered separately.		

Better than ever: the new tehalit.SL skirting trunking excels both in technology and in design: the most obvious feature of this new development is the device carrier with its lateral mirror surfaces which make the trunking appear as if it was floating. In addition to its appealing design, the current tehalit.SL system offers many other new and smart solutions. On the following pages we have compiled useful hints for assembly so that you can utilize the system's benefits to their full potential.

Installing the device carrier

The tehalit.SL system offers eight device carriers that are preassembled with power, data and speaker connections, among other options.

1. Snap in the device carrier

(fig. 1)

Snap the device carrier into the trunking bottom part so that it is located between two mounting holes. These are spaced at 125 mm. If it is not possible to install the device carrier between two mounting

holes, then be sure to observe the maximum permissible device spacing of 125 mm between the attachment point and the center of the device carrier.

2. Lock the device carrier (fig. 2)

The device carrier can still be moved along the trunking. Once it is located, all you have to do is turn the central fastening screw by 90° to lock the carrier in place in the trunking bottom part.

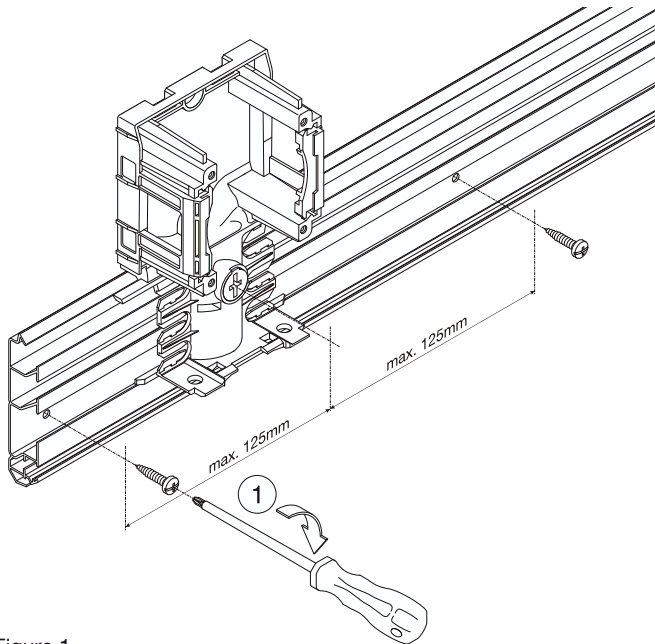


Figure 1

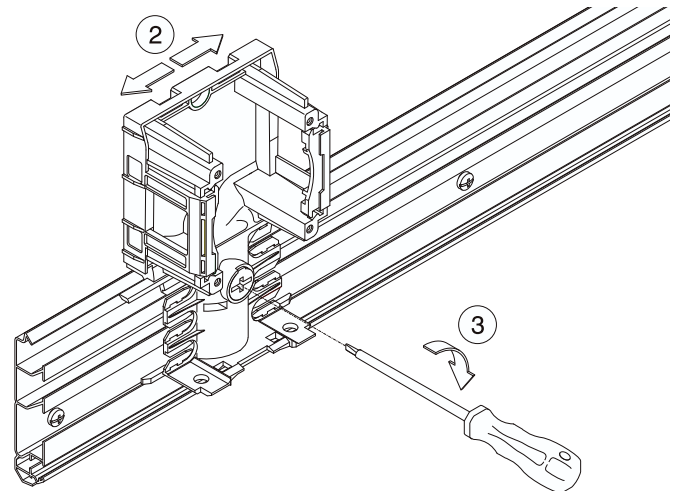


Figure 2

3. Connecting the power sockets (fig. 3)

Strip the insulation 13 mm from the cable ends. Connect the cable outside of the device carrier to the power socket. The connected power socket is then installed into the device carrier.

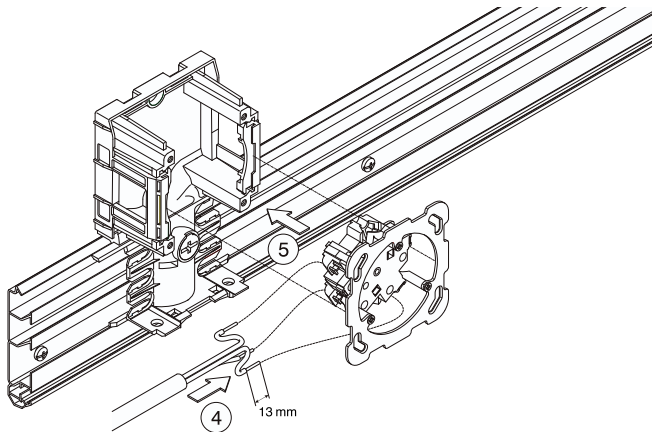


Figure 3

4. Attaching the top parts of trunking and device carrier (fig. 4)

Now place the trunking top parts onto the bottom parts and slide them against the device carrier. You can now remove the protective film marked by a blue dot from the lateral mirror surfaces. Then snap the device carrier top part onto the device carrier bottom part.

From below, clip the device carrier apron (to be ordered separately) into the device carrier bottom part. Screw on the central disc of the power socket.

Tip:

It is not necessary to attach the device carrier to the wall for stability, its attachment to the trunking bottom part is sufficient. However, if walls are uneven, it may occur that the device carrier is not flush against the wall. Suggested remedial action: Use screws to additionally attach the device carrier to the wall.

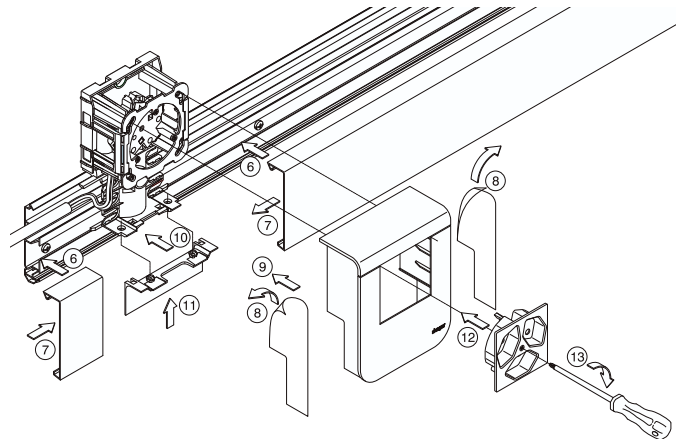


Figure 4

Removing the device carrier

The already described assembly of the device carriers is one of the highlights. Of course, this also works the other way around: you can easily release the device carrier top part at the touch of a button:

1. Release (fig. 5)

Using a screwdriver, remove the central disc of the power socket. Firmly push in the release button on the bottom of the device carrier top part and hold it down.

2. Remove the top part (fig. 5)

You can now pull the bottom of the device carrier top part forward and lift it off. It is not necessary to remove the device carrier apron from the device carrier bottom part.

3. Remove the device carrier bottom part (fig. 6)

Now turn the screw in the device carrier bottom part 90° to the left. The bottom part can now be removed towards the front.

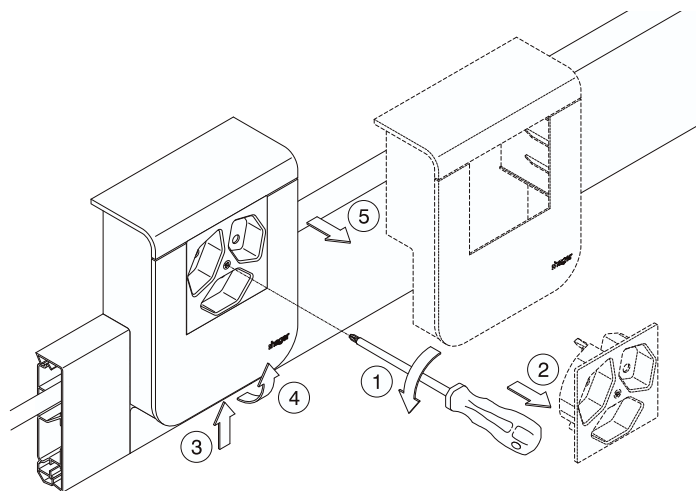


Figure 5

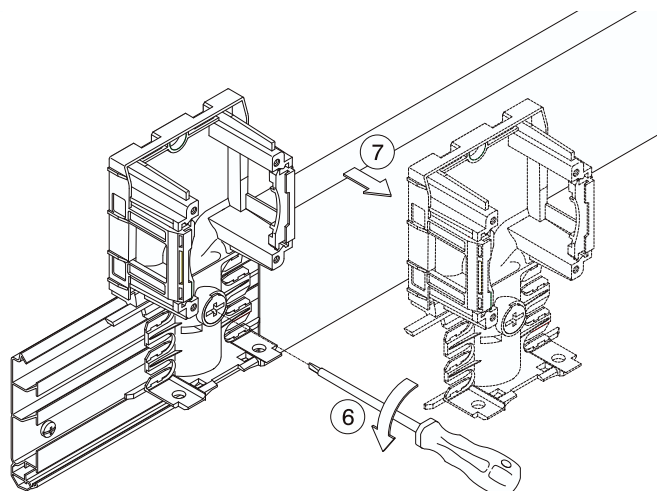


Figure 6

For further information refer to the assembly instructions provided with each device carrier.

Assembling the tehalit.SL skirting trunking kit with motion sensor, transformer and LED illumination

The trunking bottom part of the tehalit.SL system facilitates assembly in accordance with EN50085-2-1: The minimum distance between the first compartment holding insulated conductors and the floor is always 10 mm. The lowest of the four compartments can still be used e.g. for the LED lighting. This is how it works:

1. Snap in the device carrier

(fig. 7)

Snap the device carrier into the trunking bottom part so that it is located between two mounting holes. These are spaced at 125 mm. If it is not possible to install the device carrier between two mounting holes, then be sure to observe the maximum permissible device spacing of 125 mm between the attachment point and the center of the device carrier. The device carrier can still be moved along the trunking.

2. Connect the LED hose

(fig. 7) First, slide the insulating sleeves over the LED connecting lines and secure any unused line ends with insulating end pieces. Now connect the LED hose. Be sure to observe polarity.

3. Lock the device carrier

(fig. 8) Turn the central fastening screw by 90° to lock the carrier in place in the trunking bottom part.

4. Connect the transformer and the motion sensor

(fig. 8) Push the LED hose fully into the lowest compartment of the trunking bottom part. Connect the transformer to 230 V mains power.

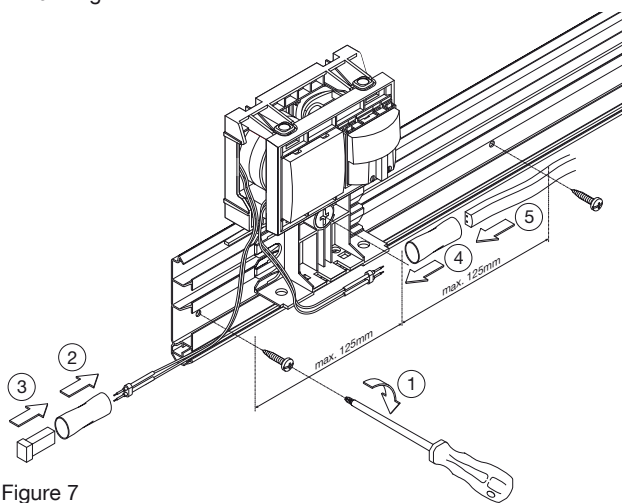


Figure 7

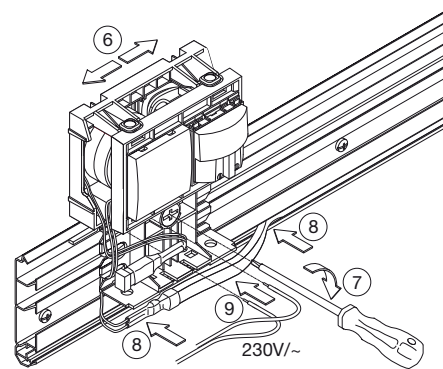


Figure 8

5. Attach the trunking top part

(fig. 9)

Place the trunking top parts for LED lighting – can be identified by the translucent areas – on the trunking bottom parts and slide them against the device carrier. You can now remove the protective film marked by a blue dot from the

lateral mirror surfaces. Then snap the device carrier top part onto the device carrier bottom part. From below, clip the device carrier apron (to be ordered separately) into the device carrier bottom part.

Good to know: the specifications of the LED hose

Voltage: 12 VDC
Voltage rating: 1.6 W per meter
of cut length: every 3 COB*
COB*-spacing: 50 mm

* COB = Chip-On-Board LED

Correct trimming of the LED hose

The LED hose is provided with markers every 150 mm. These indicate where the hose can be cut to length.

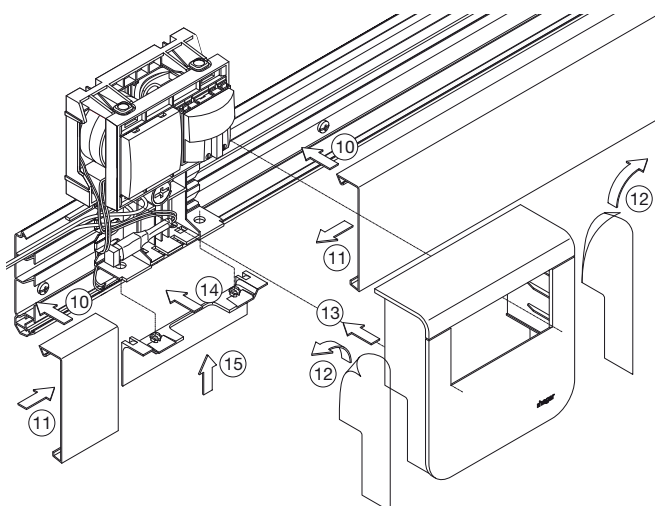


Figure 9

Removing a device carrier with motion sensor

A little trick allows you to also remove device carriers variants with motion sensor without using a tool:

1. Release (fig. 10)

Firmly push in the release button on the bottom of the device carrier top part and hold it down.

2. Remove the top part (fig. 10)

You can now pull the bottom of the device carrier top part forward and lift it off. Place both thumbs under the protruding edges left and right above the lateral mirror surfaces of the device carrier upper part. Rest the other fingers against the trunking upper part. Firmly push the device carrier upper part upwards with your thumbs.

You can now release the device carrier upper part from the bottom part. It is not necessary to remove the device carrier apron from the device carrier bottom part.

3. Remove the bottom part (fig. 11)

Turn the screw in the device carrier bottom part 90° left and release the bottom part from the trunking.

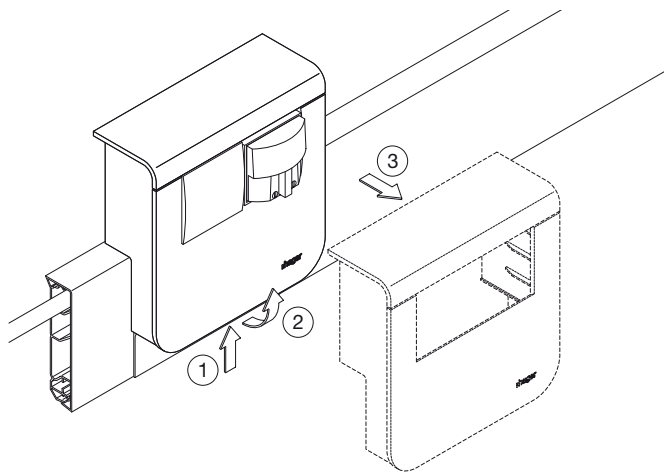


Figure 10

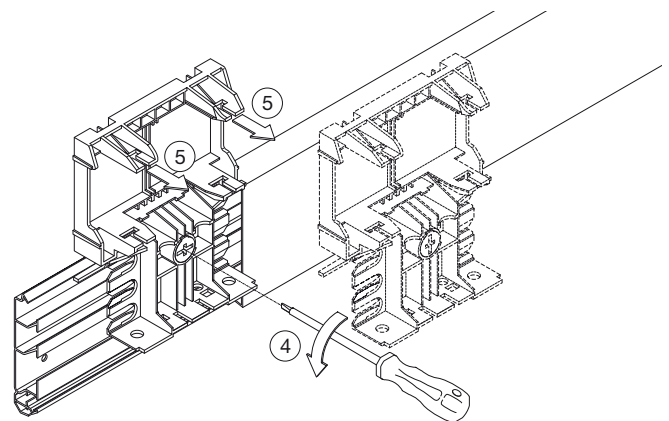


Figure 11

Also observe the further information provided in the assembly instructions.

Assembly of the standard end piece (fig. 12 and 13)

Very practical: the new universal end piece fits on either side to create a clean trunking end. All you need to do is prepare the trunking top and bottom parts:

1. Shorten the trunking bottom part

Note: To create a clean end, the trunking bottom part must be approx. 15 mm shorter than the final edge.

2. Shorten the trunking top part

The trunking top part must be approx. 19 to 25 mm shorter than the trunking bottom part.

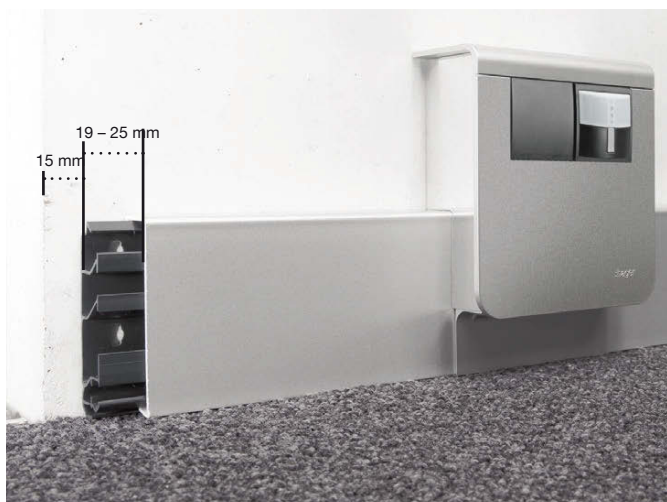


Figure 12

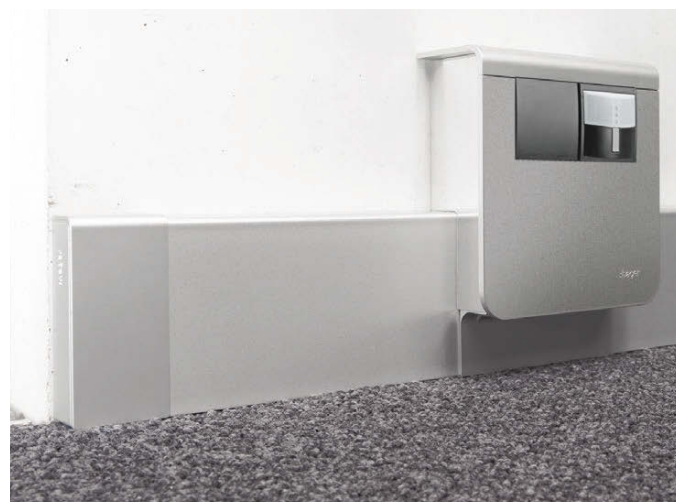


Figure 13

Assembling an end piece to a skirting trunking with carpet strip

To attach an end piece to a tehalit.SL trunking with carpet strip, proceed as follows:

1. Trim trunking bottom and top part to size

First you need to shorten the trunking top and bottom part by 2 mm against the final wall edge.

2. Attach the mounting clips

(fig. 14, drawings 1 and 2)
Pressing firmly, snap the mounting clip into the trunking bottom part and secure it with a screw.

3. Attach the end piece

(fig. 14, drawing 3)
Push the end piece at the front onto the mounting clip until it snaps into place.

4. Attach the trunking top part

(fig. 14, drawing 4 and 5)
Place the trunking top part onto the trunking bottom part. Then push the top part under the end piece.

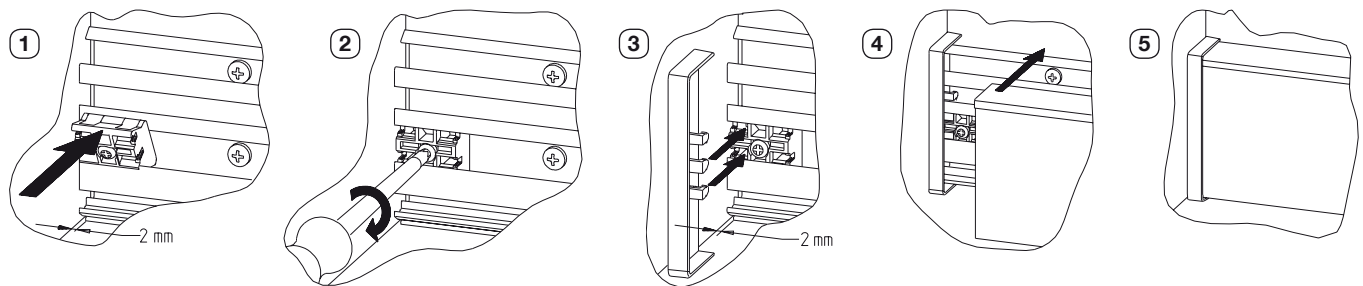
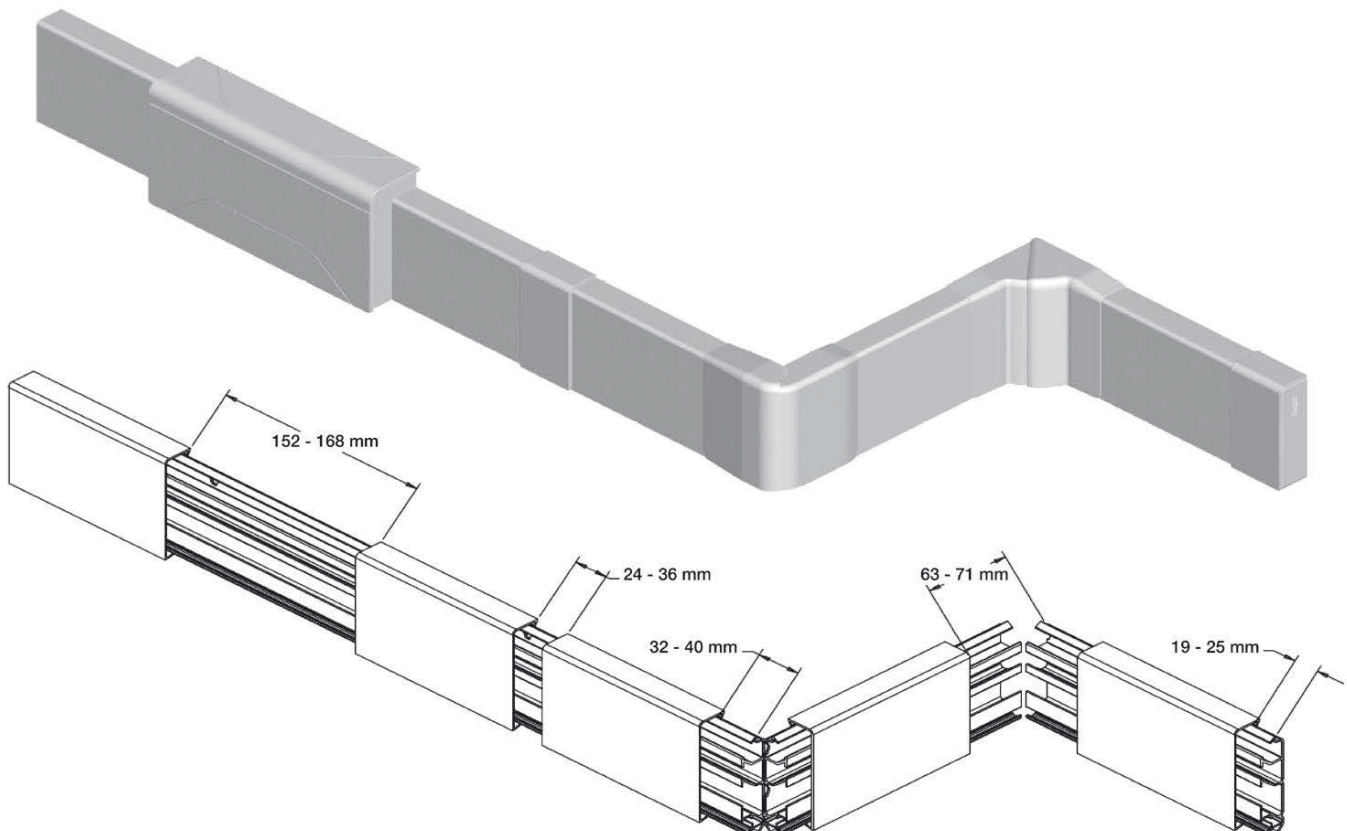


Figure 14

Practical: the end piece covers trim lines up to 5 mm. Please note that device carriers do not conceal trim lines of trunkings with carpet strips. When these variants are used, the top parts run against the sides of the device carriers without being concealed.

Assembling the shaped parts

The shaped parts of the tehalit.SL skirting trunking system can be adjusted to wall angles and conceal trim lines. They allow you to route the trunking around internal and external corners and also to compensate for any inaccuracies of the building structure. All you have to do to utilize this flexibility is to adjust the lengths of the trunking upper parts accordingly. The corresponding dimensions are provided in the following drawing:



Finally, another practical tip to facilitate assembly:

Assembling the trunking bottom part in the case of excessive gap width between wall and flooring

By design, the contact surface of the trunking bottom part is 10 mm. If the gap between wall and flooring exceeds 10 mm along the entire wall length, the top edge of the flooring cannot be used for height adjustment when assembling the trunking bottom part. Here, too, we can offer a simple solution:

1. Assemble short sections of the trunking upper part onto the bottom part

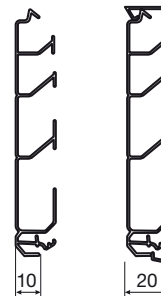
Before assembly, snap two to three (remaining) short upper trunking part sections of a few centimeters in length onto the bottom part. You have now enlarged the contact surface to 20 mm.

2. Assemble the trunking lower part

Now you can bridge gap widths up to 20 mm between wall and flooring, allowing the trunking bottom part to be located on the flooring for subsequent attachment. Once the bottom part is attached, the upper part sections can be removed.

Caution

In case the flooring is to be laid after assembling the skirting trunking, the trunking bottom part must be raised by the amount of the flooring's material thickness before attachment to ensure that the trunking top part can be snapped on or removed.



Hager Vertriebsgesellschaft mbH & Co. KG
Zum Gunterstal
66440 Blieskastel
Germany
Phone: +49 (0)6842 945 0

Hager Electro S.A.S.
132 Boulevard d'Europe
B.P. 3
67215 Obernai cedex
France
Phone: +33 (0)3 88 49 50 50
Fax: +33 (0)3 88 49 51 44
www.hager.com

